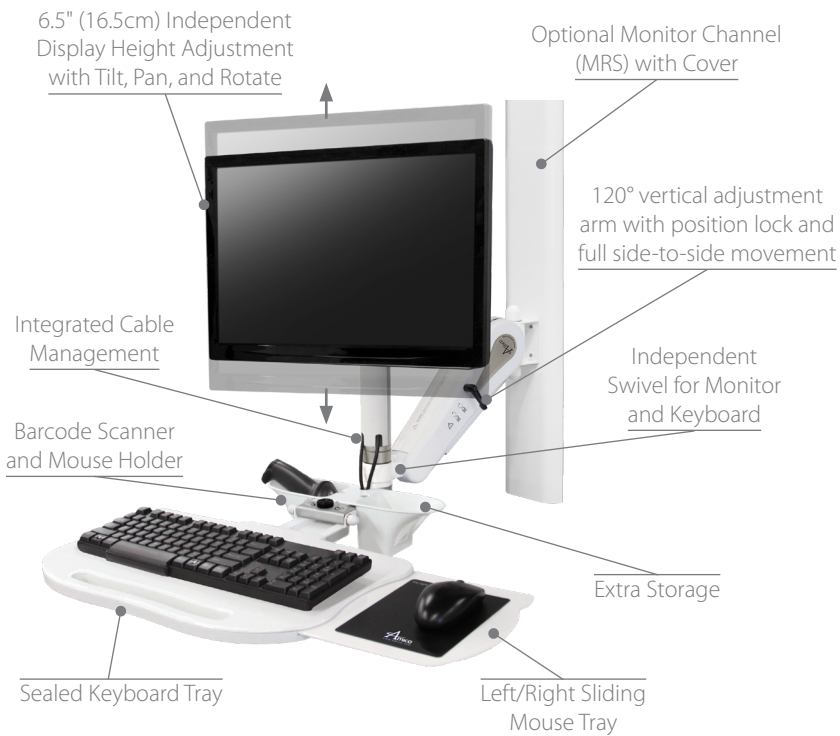


## Falcon™ Computer Workstation



### Features:

- Independent LCD height adjustment 6.5" (16.5 cm)
- Entire workstation folds back to as little as 9" (22.9 cm) from wall for storage when not in use
- Includes both 75/100 VESA mounting options with easy installation slots
- Intelligent cable management systems on arm, wall channel, and post
- Optional CPU mounts available
- Negative tilt keyboard adjustment
- Completely sealed keyboard tray for better infection control
- Easy access to barcode scanner and mouse holders
- Conveniently and ergonomically position your monitor and keyboard for maximum productivity, comfort, and patient to caregiver eye contact
- Can easily adjust from sitting to standing in one smooth motion
- 120° vertical arm adjustment with position lock and full side-to-side movement
- Overall vertical adjustment range can accommodate users of any height 17" (43.2 cm)
- Counterbalanced to provide effortless movement
- Durable aluminum construction

### Sidekick Features:

- Integrated LED keyboard light with touch switch
- Large work surface with spill guard edge
- Magnetic whiteboard surface
- Lightweight, flip up with one hand

### Optional Folding Extensions



**6" (15.2 cm) extension**  
Entire system extends up to 44" (111.8 cm) from wall



**9" (22.9 cm) extension**  
Entire system extends up to 47" (119.4 cm) from wall



**12" (30.5 cm) extension**  
Entire system extends up to 50" (127 cm) from wall



**16" (40.6 cm) extension**  
Entire system extends up to 54" (137.2 cm) from wall

**NOTE:** Dimensions are exact to within 0.5" (1.2 cm)

# Falcon Ordering Guide

## AHM-FIT - - -

Color

- W**  
White
- X**  
Custom

Keyboard Tray



**F**  
Falcon



**M**  
Mini



**X**  
Custom



**D**  
Sidekick Secondary Surface

Additional Extension Length

**0**

No Extension



**7**

6" (15.2 cm) Extension



**3**

9" (22.9 cm) Extension



**1**

12" (30.5 cm) Extension



**5**

16" (40.6 cm) Extension

Spring Strength

**25**

5.5-8 lbs (2.5-3.6 kg) Monitors

**35**

7.5-10 lbs (3.4-4.5 kg) Monitors

**50**

13-15.5 lbs (5.8-7 kg) Monitors

**60 \*\***

15.5-16.7 lbs (7-7.6 kg) Monitors

**65 \*\*\***

16.7-18 lbs (7.6-8.1 kg) Monitors

**75**

18-22 lbs (8.1-10 kg) Monitors

**XX**

Custom

For Monitors > 22 lbs (10 kg) or Fixed Height

\*\* Add MON-LCD-HANDLE for displays between 10-13 lbs (4.5-5.8 kg)

\*\*\* Maximum

Track Adapter



**M**  
Monitor Channel



**AB**  
\*Amico Horizontal Direct Mount - Bottom



**AT**  
\*Amico Horizontal Direct Mount - Top



**V**  
\*Amico Vertical Direct Mount



**G**  
\*Hill-Rom Vertical Direct Mount



**D**  
Datex/Ohmeda, Dovetail Direct Mount

Extension Type



**F**  
Folding



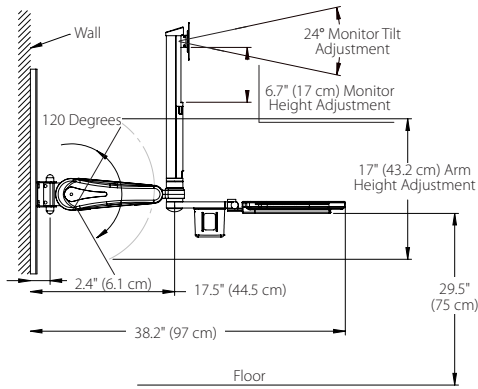
**R**  
Reverse Folding

**5**  
N/A (No Extension)

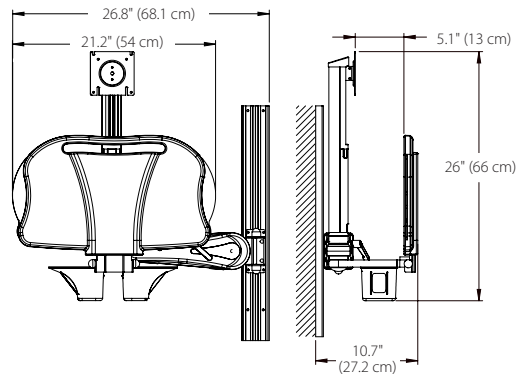
\* Direct mount options not available with extensions.

# Falcon Dimensions and Movement Range

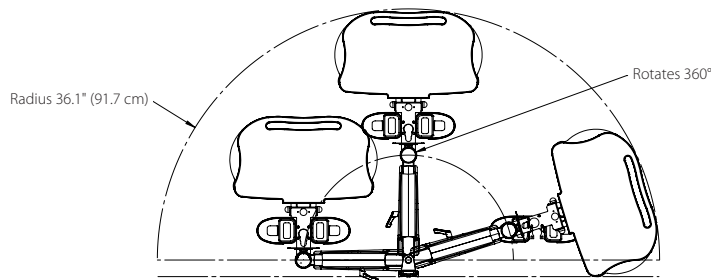
## With No Extension



Extended Position

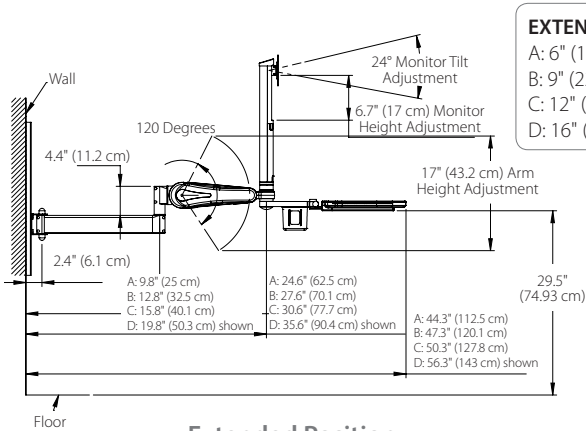


Folded Position

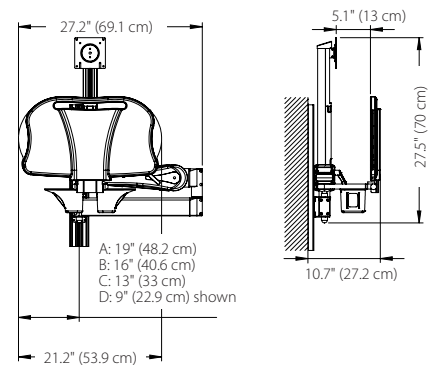


**NOTE:** Mouse tray may add 7" (17.8 cm) on either side when extended. All measurements are made with the arm in horizontal position.

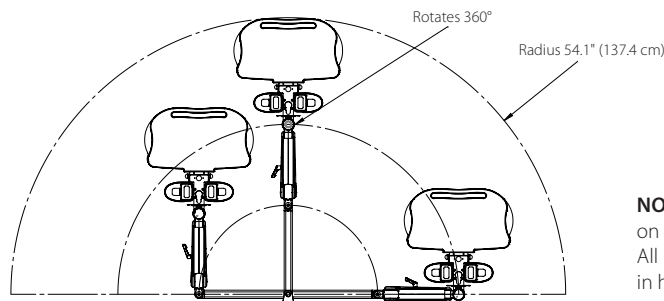
## With Optional Extensions



Extended Position



Folded Position



**NOTE:** Mouse tray may add 7" (17.8 cm) on either side when extended. All measurements are made with the arm in horizontal position.

**NOTE:** All dimensions are not exact.

# Falcon Accessories

## Power Bar



- Hospital grade, 4 power outlets
- 120 VAC, 60Hz
- MON Adapter

Part Number: PWRBAR4-MON

## Power Holder



- Holds most power adapters for PCs, patient monitors, and LCDs
- MON Adapter

Part Number: PWRHLD-MON

## Cord Wrap



- Ideal for managing wires and cords

Part Number: CORDWRAP

## LCD Handle



- Ergonomic handles can be added to any Amico LCD mount
- Knuckle guard protects walls and user's hands
- Weight: 4.3 lbs (2 kg)

Part Number: MON-LCD-HANDLE

## Monitor Channel



- Standard wall channel 34" (86.4 cm)
- Seismic options and custom lengths available (ask sales rep for details)

Part Number: MRS-S034

## Channel Covers



- Easy way to hide wires
- Available in patterns and colors to match any decor

Call for part number.

## Wire Baskets



10" W x 06" D x 09" H  
(25.4 cm x 15.2 cm x 22.9 cm)  
White wire basket  
MON Adapter  
Part No: 100609-MON-BB



13" W x 09" D x 07" H  
(33 cm x 22.9 cm x 17.8 cm)  
BP cuff basket  
MON Adapter  
Part No: CUFBASK-MON

All baskets can be sterilized

## Printer Mounts



- Mounts most portable printers to conveniently print at the bedside

## CPU Mounts



### Adjustable

1.5" - 3" (3.8 cm - 7.6 cm)  
Part No: CPUMNT1-MON

1.5" - 7" (3.8 cm - 17.8 cm)  
Part No: CPUMNTA-MON

7" - 9.5" (17.8 cm - 24.1 cm)  
Part No: CPUMNT4-MON



### Thin Client Mount behind LCD

10" x 10" x 1.75"  
(25.4 cm x 25.4 cm x 4.4 cm)

10" x 10" x 3"  
(25.4 cm x 25.4 cm x 7.6 cm)



Enclosed CPU Mount



Tangent Rugged Mini Mount

**NOTE:** All dimensions are not exact.  
\* Includes MON Adapter.

Please visit [www.amico.com](http://www.amico.com) for all technical specifications, installation instructions, detailed AutoCAD drawings, and more Mounting Solutions.



Distributed By:

**converjint** | innovative medical

Innovative Medical

114info@converjint.com | 800.968.3135