

# Computer Mounting



## Condor™ with Sidekick

Adjustable Height Channel



### Condor Adjustable Height Channel

Durable Aluminum Construction



### Features:

- Patented counterbalance mechanism allows for a 20 lbs (9.1 kg) range, ideal for changing technology
- 17"(43.18 cm) overall height adjustment range provides sit to stand capabilities and can accommodate users of any height
- Entire system folds back to within 10"(25.4 cm) from the wall (ultra flush hallway application model also available)
- Intelligent cable management system hides cables for an organized workspace
- Articulating arms allow caregivers to chart while maintaining eye contact with patients
- Ergonomically friendly negative tilt keyboard tray
- Sealed keyboard tray for infection control
- Optional secondary work surface
- CPU mounts available in various sizes
- Height locking knob reduces drift when in use
- Includes both 75/100 mm VESA mounting plates

### Sidekick Features:

- Integrated LED light with switch
- Large work surface with spill guard edge
- Magnetic whiteboard surface
- Single hand adjustment

NOTE: All dimensions are not exact.

Compact Folding



Flush Options



Dual Screen Options



Secondary Writing Surface



# Available Models

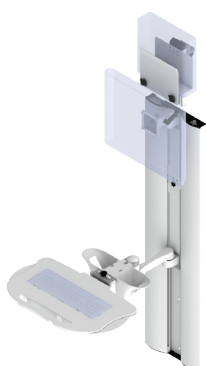
Sidekicks are available for all models. Examples below are shown without sidekick.

## AHC-1-L4-K4-CA



- Includes flush LCD SSM arm – provides tilt and swivel
- Includes flush keyboard SSM arm – provides swivel and negative tilt
- Folds to less than 10"(25.4 cm) from wall
- Keyboard extends 23"(58.42 cm) from wall

## AHC-1-L4-K0-CA



- Includes flush LCD SSM arm – provides tilt and swivel
- Includes 12" (30.48 cm) keyboard SSM arm – provides swivel, articulation and negative tilt
- Folds to less than 10"(25.4 cm) from wall
- Keyboard extends 33"(83.82 cm) from wall

## AHC-1-L4-K1-CA



- Includes flush LCD SSM arm – provides tilt and swivel
- Includes 12"x12" (30.48 cm x 30.48 cm) keyboard SSM arm – provides swivel, articulation and negative tilt
- Folds to less than 10"(25.4 cm) from wall
- Keyboard extends 43"(109.22 cm) from wall

## AHC-1-L0-K0-CA



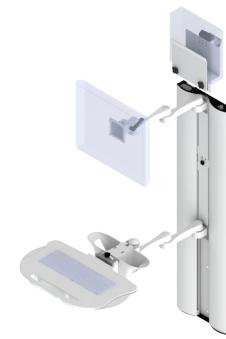
- Includes 12" (30.48 cm) LCD SSM arm – provides tilt, articulation and swivel
- Includes 12" (30.48 cm) keyboard SSM arm – provides swivel, articulation and negative tilt
- Folds to less than 10"(25.4 cm) from wall
- Keyboard extends 33"(83.82 cm) from wall, LCD extends 17"(43.18 cm) from wall

## AHC-1-L0-K1-CA



- Includes 12" (30.48 cm) LCD SSM arm – provides tilt, articulation and swivel
- Includes 12"x12" (30.48 cm x 30.48 cm) keyboard SSM arm – provides swivel, articulation and negative tilt
- Folds to less than 10"(25.4 cm) from wall
- Keyboard extends 43"(109.22 cm) from wall, LCD extends 17"(43.18 cm) from wall

## AHC-1-L1-K1-CA



- Includes 12"x12" (30.48 cm x 30.48 cm) LCD SSM arm – provides tilt, articulation and swivel
- Includes 12"x12" (30.48 cm x 30.48 cm) keyboard SSM arm – provides swivel, articulation and negative tilt
- Folds to less than 10"(25.4 cm) from wall
- Keyboard extends 43"(109.22 cm) from wall, LCD extends 27"(68.58 cm) from wall

## AHC-1-LF-KF-CA



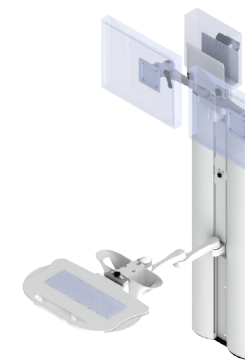
- Includes ultra flush LCD mount
- Includes ultra flush keyboard SSM arm – provides negative tilt
- Folds less than 5"(12.7 cm) from the wall
- Keyboard extends 17"(43.18 cm) from wall

## AHC-1-LD-K4-CA



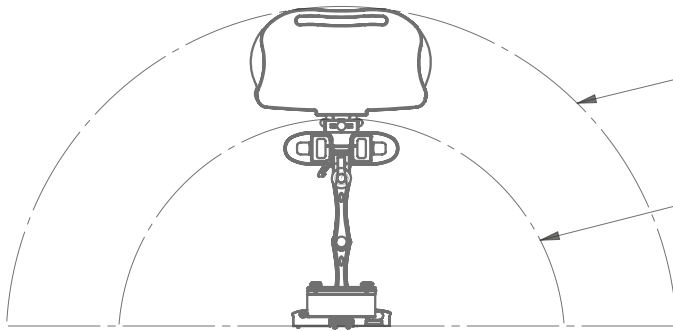
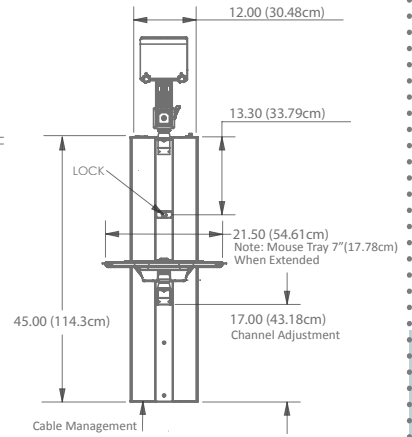
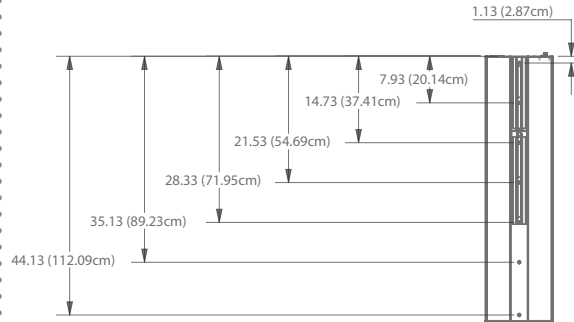
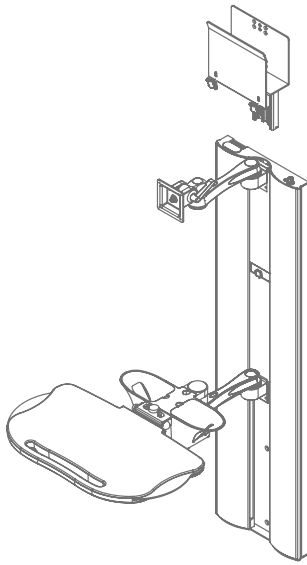
- Includes dual screen mount – provides tilt, swivel and articulation for both monitors
- Includes flush keyboard SSM arm – provides swivel and negative tilt
- Folds to less than 10"(25.4 cm) from wall
- Keyboard extends 23"(58.42 cm) from wall

## AHC-1-LD-K3-CA



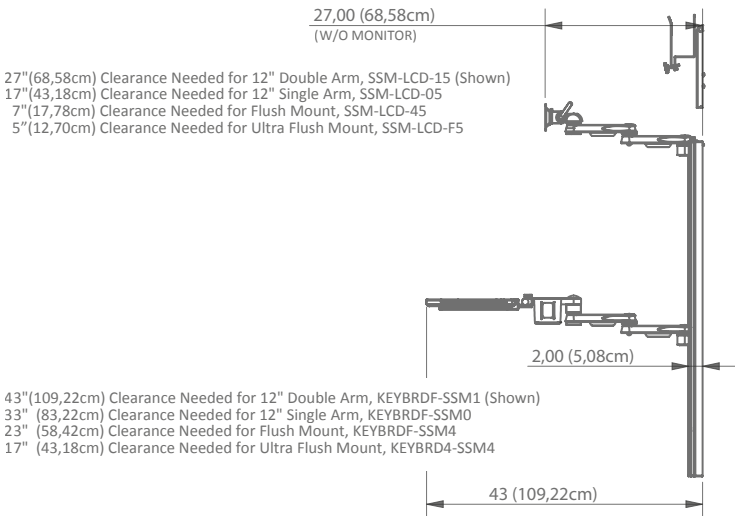
- Includes dual screen mount – provides tilt, swivel and articulation for both monitors
- Includes 12"x12" (30.48 cm x 30.48 cm) keyboard SSM arm – provides swivel and negative tilt
- Folds to less than 10"(25.4 cm) from wall
- Keyboard extends 43"(109.22 cm) from wall

# Technical Drawings



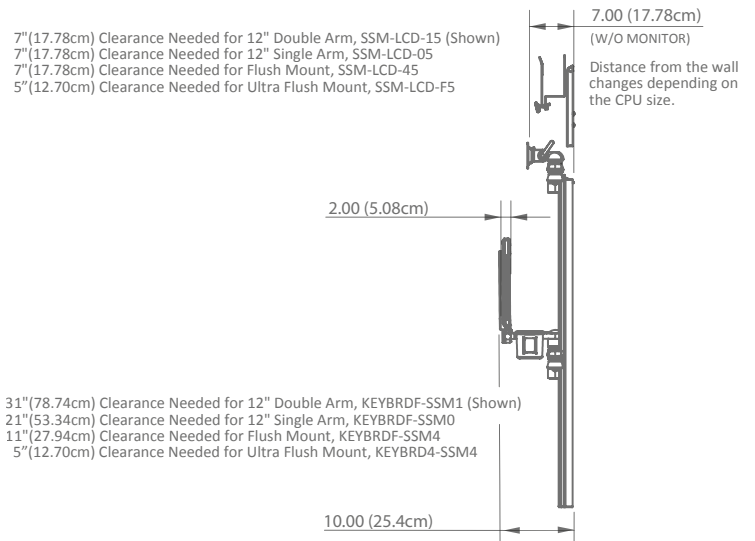
- 48" (121.92cm) Clearance Needed for 12" Double Arm, KEYBRDF-SSM1 (Shown)
- 38" (96.52cm) Clearance Needed for 12" Single Arm, KEYBRDF-SSM0
- 28" (71.12cm) Clearance Needed for Flush Mount, KEYBRDF-SSM4
- 24" (60.96cm) Clearance Needed for Ultra Flush Mount, KEYBRD4-SSM4

- 32" (81.28cm) Clearance Needed for 12" Double Arm, SSM-LCD-15 (Shown)
- 22" (55.88cm) Clearance Needed for 12" Single Arm, SSM-LCD-05
- 12" (30.48cm) Clearance Needed for Flush Mount, SSM-LCD-45
- 12" (30.48cm) Clearance Needed for Ultra Flush Mount, SSM-LCD-F5



- 27" (68,58cm) Clearance Needed for 12" Double Arm, SSM-LCD-15 (Shown)
- 17" (43,18cm) Clearance Needed for 12" Single Arm, SSM-LCD-05
- 7" (17,78cm) Clearance Needed for Flush Mount, SSM-LCD-45
- 5" (12,70cm) Clearance Needed for Ultra Flush Mount, SSM-LCD-F5

- 43" (109,22cm) Clearance Needed for 12" Double Arm, KEYBRDF-SSM1 (Shown)
- 33" (83,22cm) Clearance Needed for 12" Single Arm, KEYBRDF-SSM0
- 23" (58,42cm) Clearance Needed for Flush Mount, KEYBRDF-SSM4
- 17" (43,18cm) Clearance Needed for Ultra Flush Mount, KEYBRD4-SSM4



- 7" (17.78cm) Clearance Needed for 12" Double Arm, SSM-LCD-15 (Shown)
- 7" (17.78cm) Clearance Needed for 12" Single Arm, SSM-LCD-05
- 7" (17.78cm) Clearance Needed for Flush Mount, SSM-LCD-45
- 5" (12.70cm) Clearance Needed for Ultra Flush Mount, SSM-LCD-F5

Distance from the wall changes depending on the CPU size.

- 31" (78.74cm) Clearance Needed for 12" Double Arm, KEYBRDF-SSM1 (Shown)
- 21" (53.34cm) Clearance Needed for 12" Single Arm, KEYBRDF-SSM0
- 11" (27.94cm) Clearance Needed for Flush Mount, KEYBRDF-SSM4
- 5" (12.70cm) Clearance Needed for Ultra Flush Mount, KEYBRD4-SSM4

# Computer Mounting Accessories

## Power Bar



- Hospital grade, 4 power outlets
- 120 VAC, 60Hz

Part Number: PWRBAR4-MON

## Power Holder



- Holds most power adapters for PCs, patient monitors and LCDs

Part Number: PWRHLD-MON

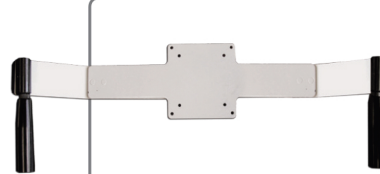
## Cord Wrap



- Ideal for Managing wires and cords

Part Number: CORDWRAP

## LCD Handle



- Ergonomic handles can be added to any Amico LCD mount
- Knuckle guard protects walls and user's hands
- Weight: 4.3lbs (1.9kg)

Part Number: MON-LCD-HANDLE

## Color Options



Call for part number.

## Bar Code Scanner Holder



- Universal bar code scanner holder

Call for part number.

## Wire Baskets



10"W x 06"D x 09" H  
(25.4 cm x 15.24 cm x 22.86 cm)  
White wire basket  
Part No: 100609-MON-BB



13"W x 09"D x 07" H  
(33.02 cm x 22.86 cm x 17.78 cm)  
BP cuff basket  
Part No: CUFBASK-MON

All baskets can be sterilized

## Printer Mounts



- Mounts most portable printers to conveniently print at the bedside

## CPU Mounts



- Available Sizes:
- 1.5" - 3" (3.81 cm - 7.62 cm)  
Part No: CPUMNT1-MON
- 1.5" - 7" (3.81 cm - 17.78 cm)  
Part No: CPUMNTA-MON
- 7" - 9.5"(17.78 cm - 24.13 cm)  
Part No: CPUMNT4-MON



- Thin client mount behind LCD
- 10" x 10" x 1.75"  
(25.4 cm x 25.4 cm x 4.45 cm)
- 10" x 10" x 3"  
(25.4 cm x 25.4 cm x 7.62 cm)



- Enclosed CPU Mount



- Tangent Rugged Mini mount

NOTE: All dimensions are not exact.

Please visit [www.amico.com](http://www.amico.com) for all technical specifications, installation instructions, detailed AutoCAD drawings and more Mounting Solutions.



Distributed By:

**convergent** | innovative medical

Innovative Medical | 114info@convergent.com | 800-968-3135